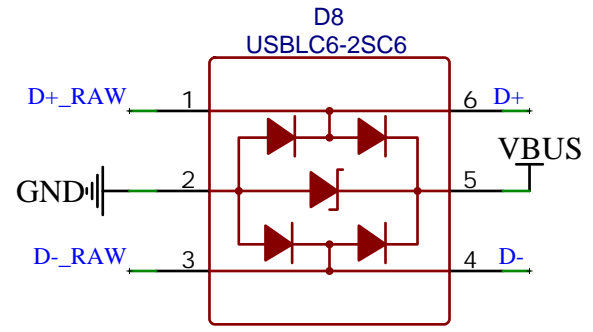
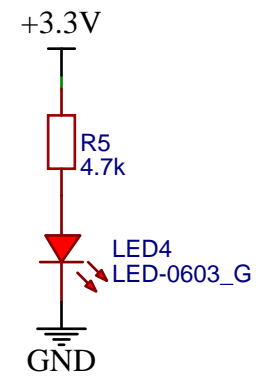
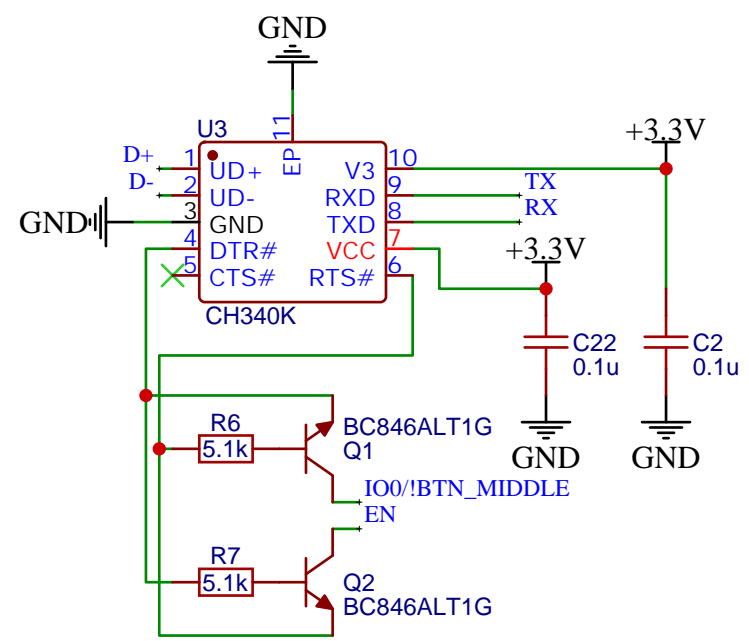
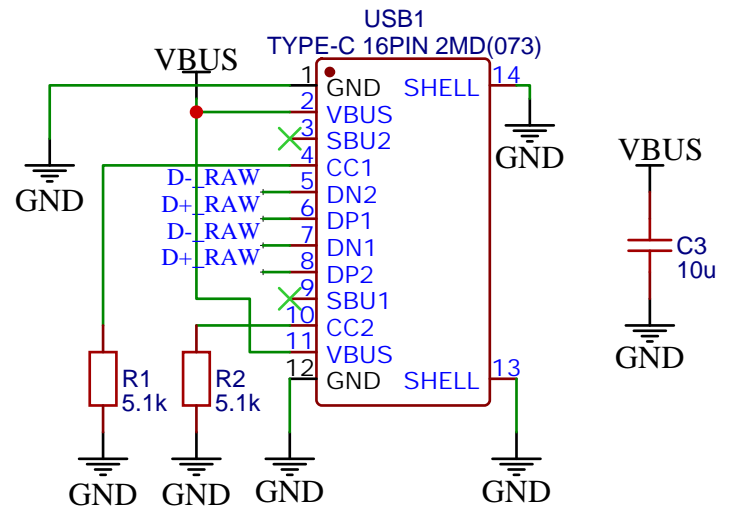
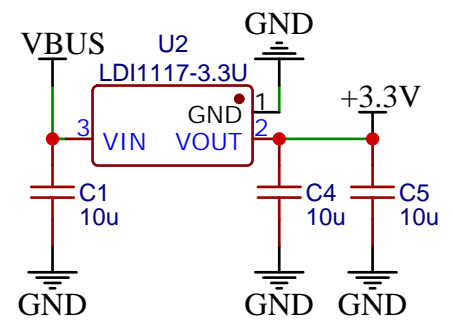
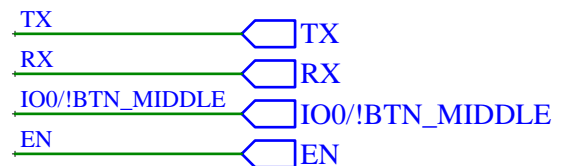
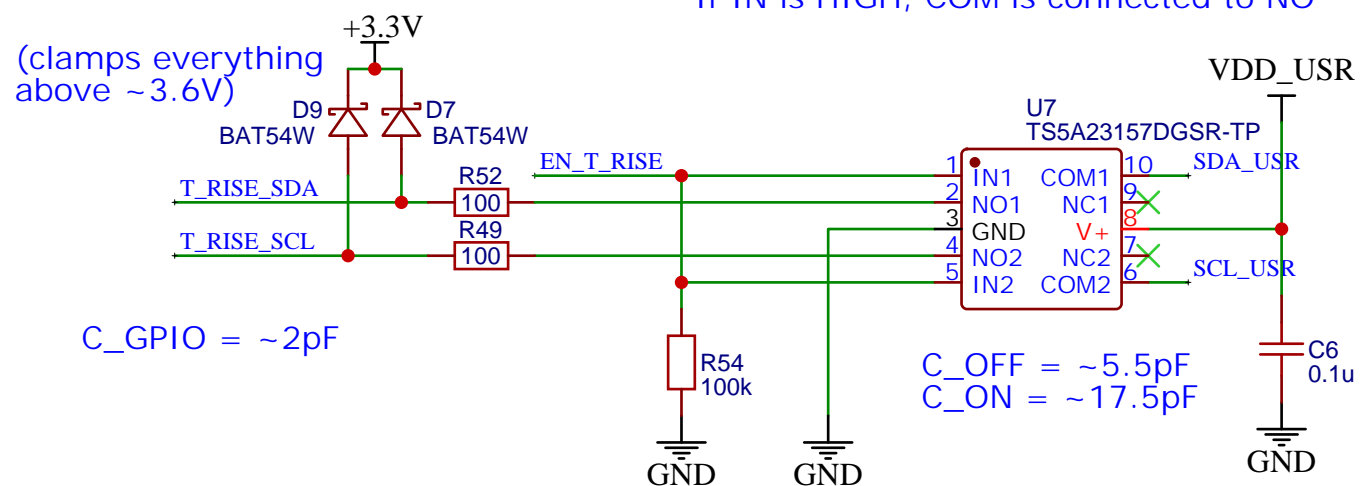
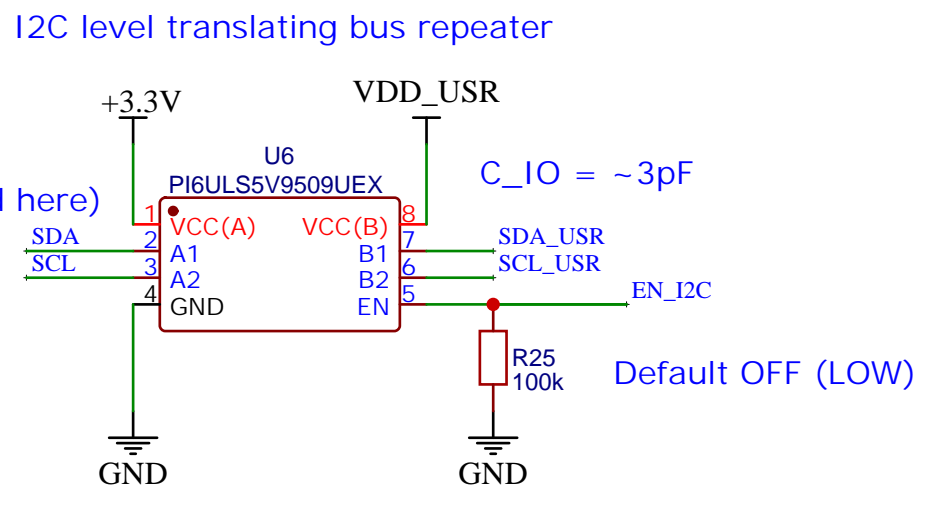
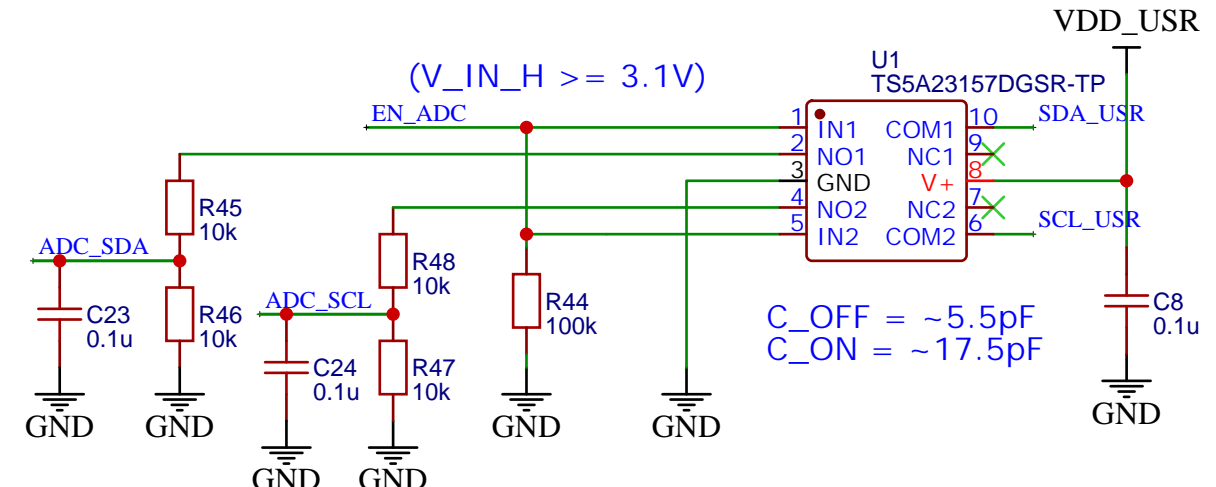
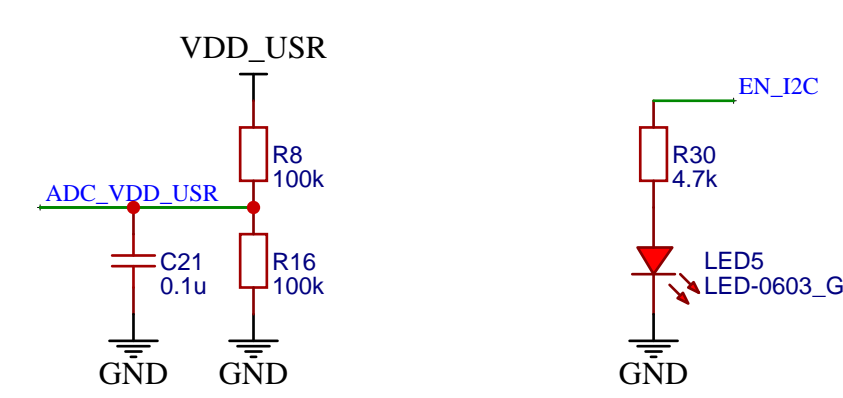
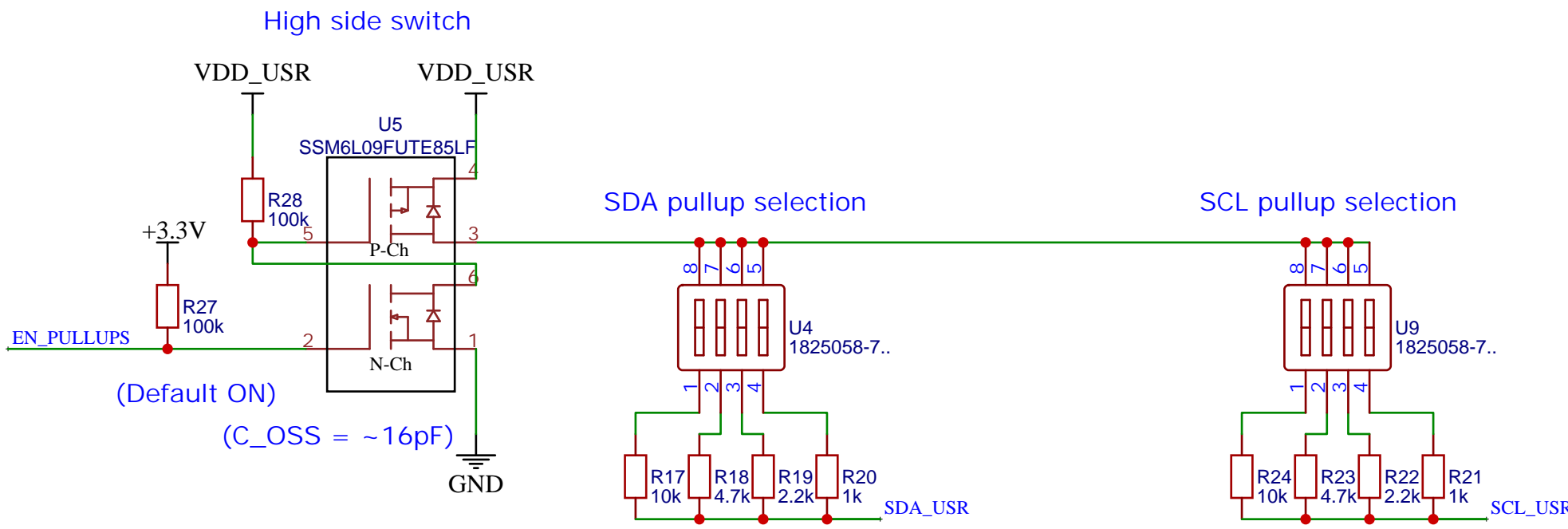


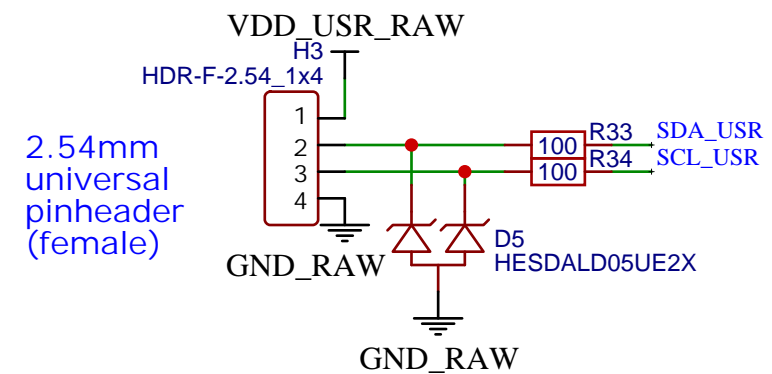
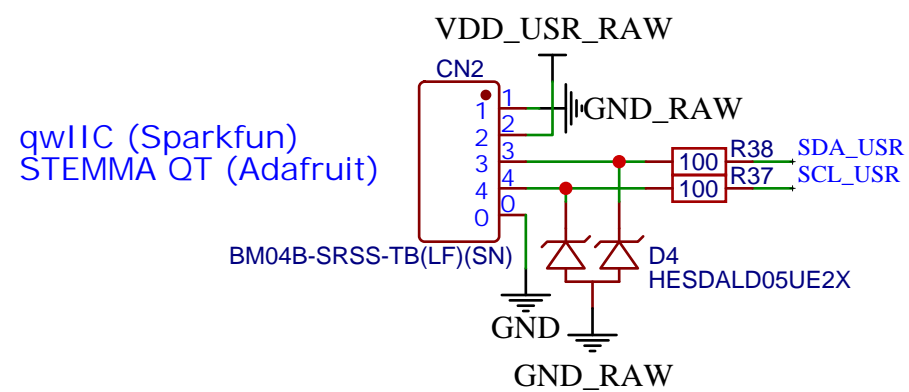
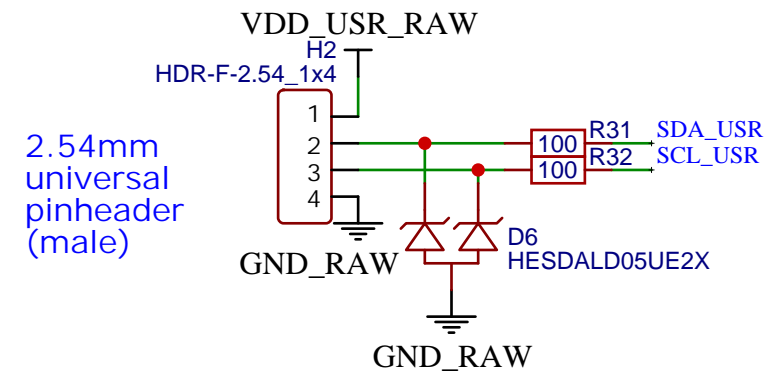
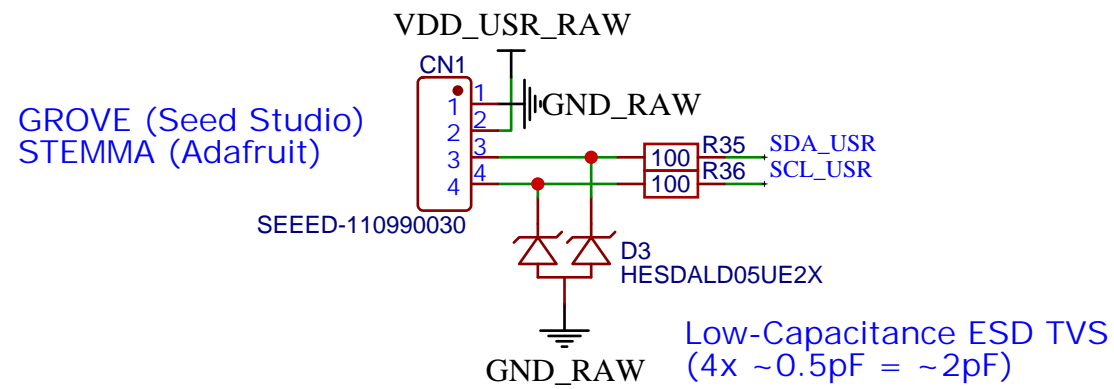
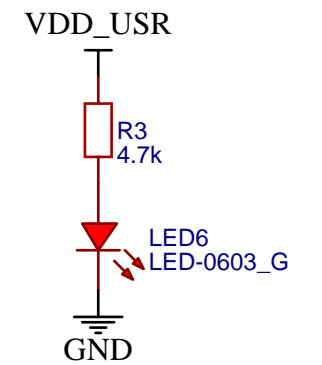
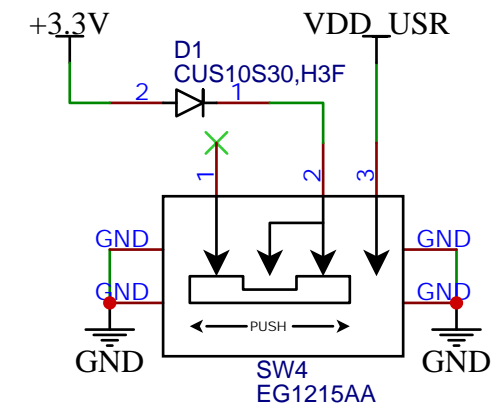
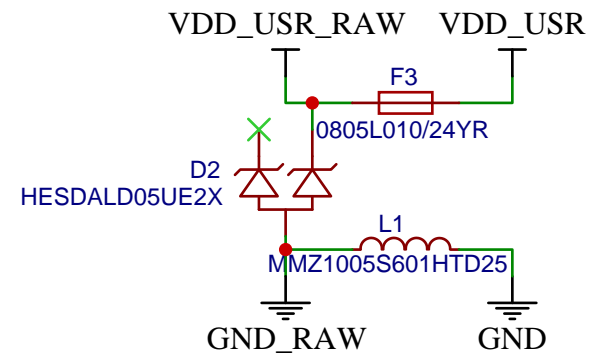
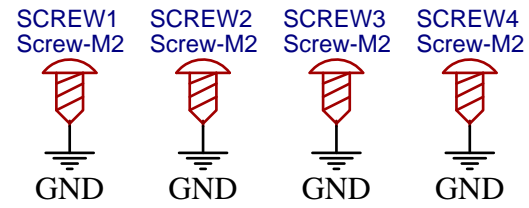
PCB:  
 - 1.6mm  
 - 40x80mm  
 - Blue  
 - ENIG  
 - Lead free



TITLE: USB_2_UART		REV: 1.0
EasyEDA	Company: Haleng	Sheet: 1/6
	Date: 2026-02-16	Drawn By: Jascha Haldemann



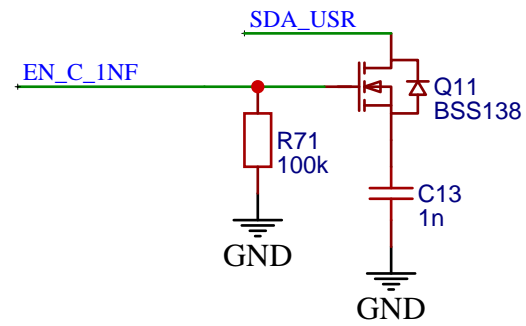
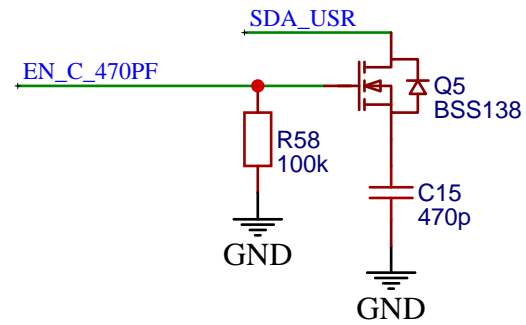
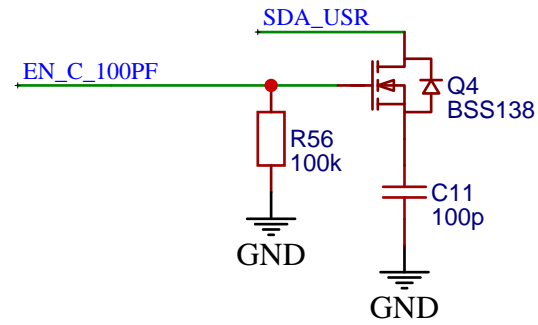
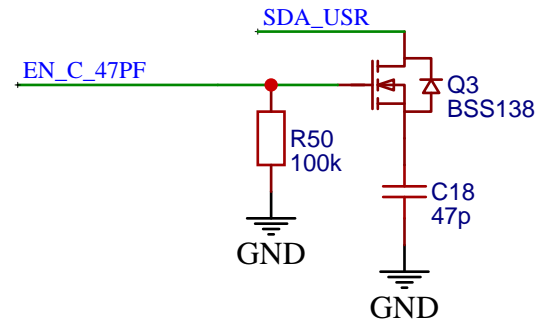
TITLE: I2C_BUS		REV: 1.0
EasyEDA	Company: Haleng	Sheet: 2/6
	Date: 2026-02-27	Drawn By: Jascha Haldemann



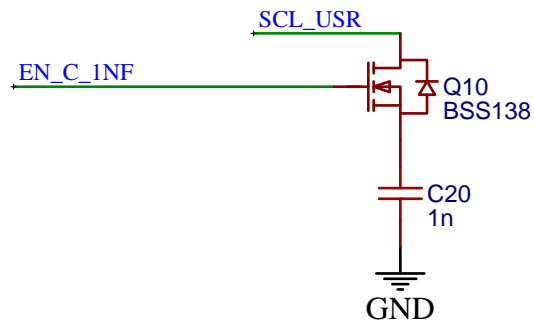
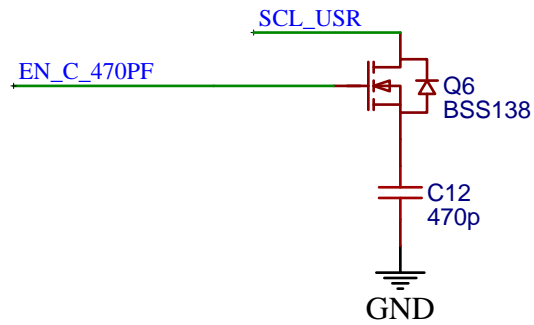
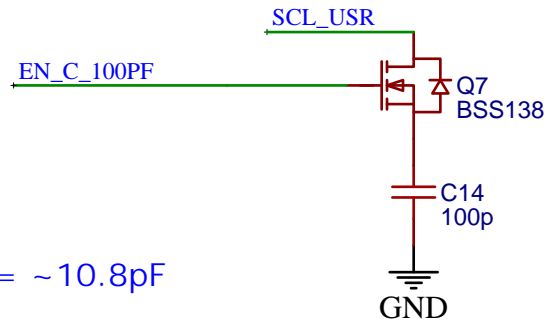
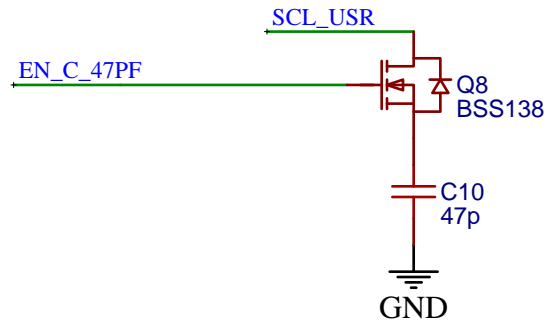
<https://www.cable-tester.com/i2c-pin-out/>

TITLE: I2C_CONNECTORS		REV: 1.0
EasyEDA	Company: Haleng	Sheet: 3/6
	Date: 2026-02-27	Drawn By: Jascha Haldemann

SDA  
Low side switches

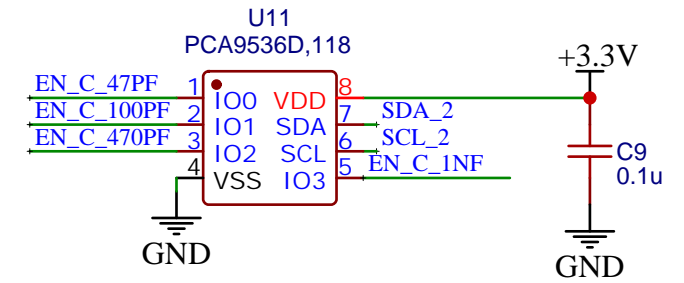


SCL  
Low side switches



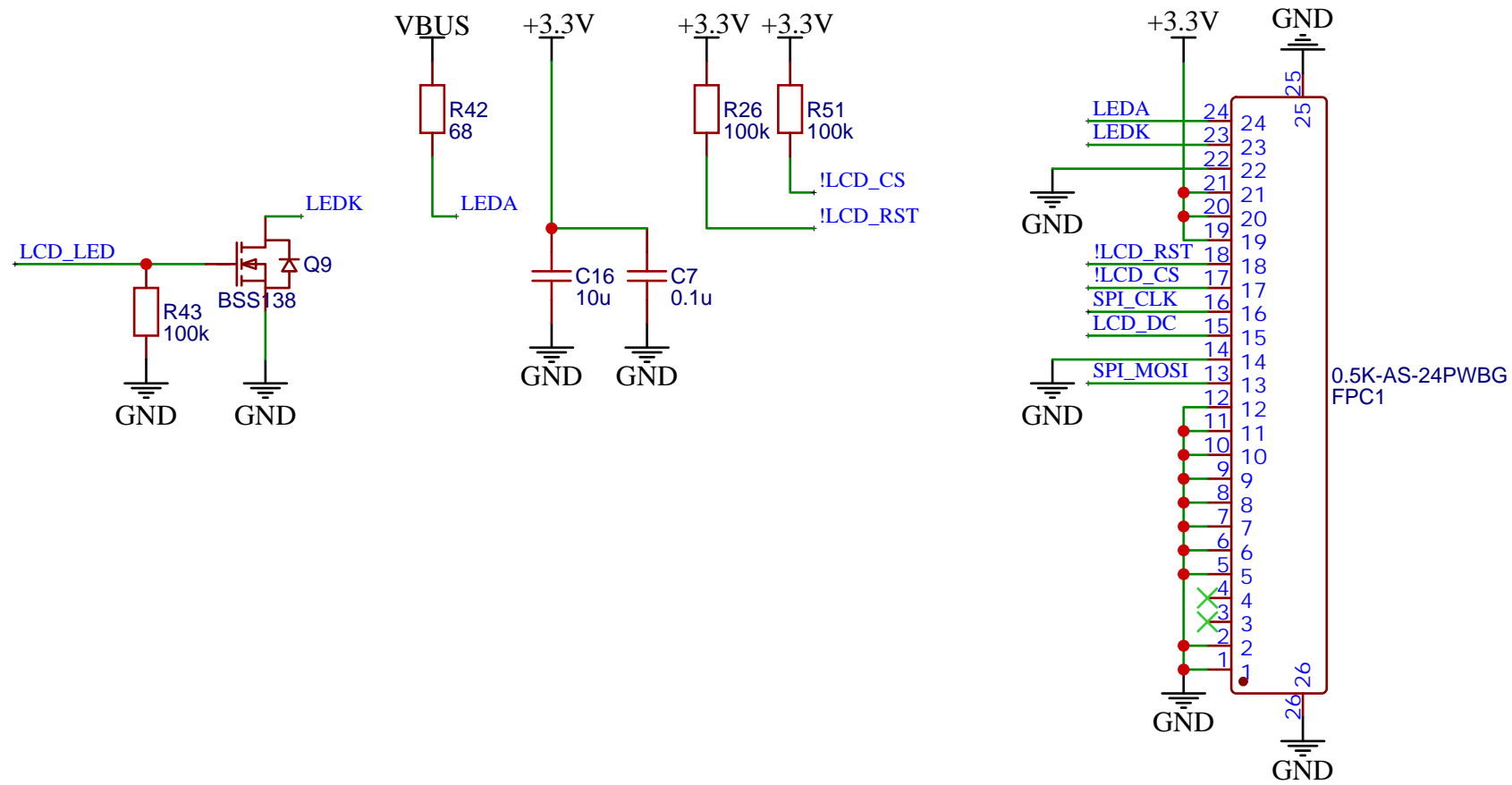
$$C_{OSS} = 4 \times \sim 2.7\text{pF} = \sim 10.8\text{pF}$$

I/O expander



TITLE: I2C_Fault_Injection_Capacitors		REV: 1.0
EasyEDA	Company: Haleng	Sheet: 4/6
	Date: 2026-02-27	Drawn By: Jascha Haldemann





TITLE: LCD		REV: 1.0
	Company: Haleng	Sheet: 6/6
	Date: 2026-03-03	Drawn By: Jascha Haldemann